

# AKTAN Pallet

Innovation in Petrochemical Metal Box Pallet

Contact Us

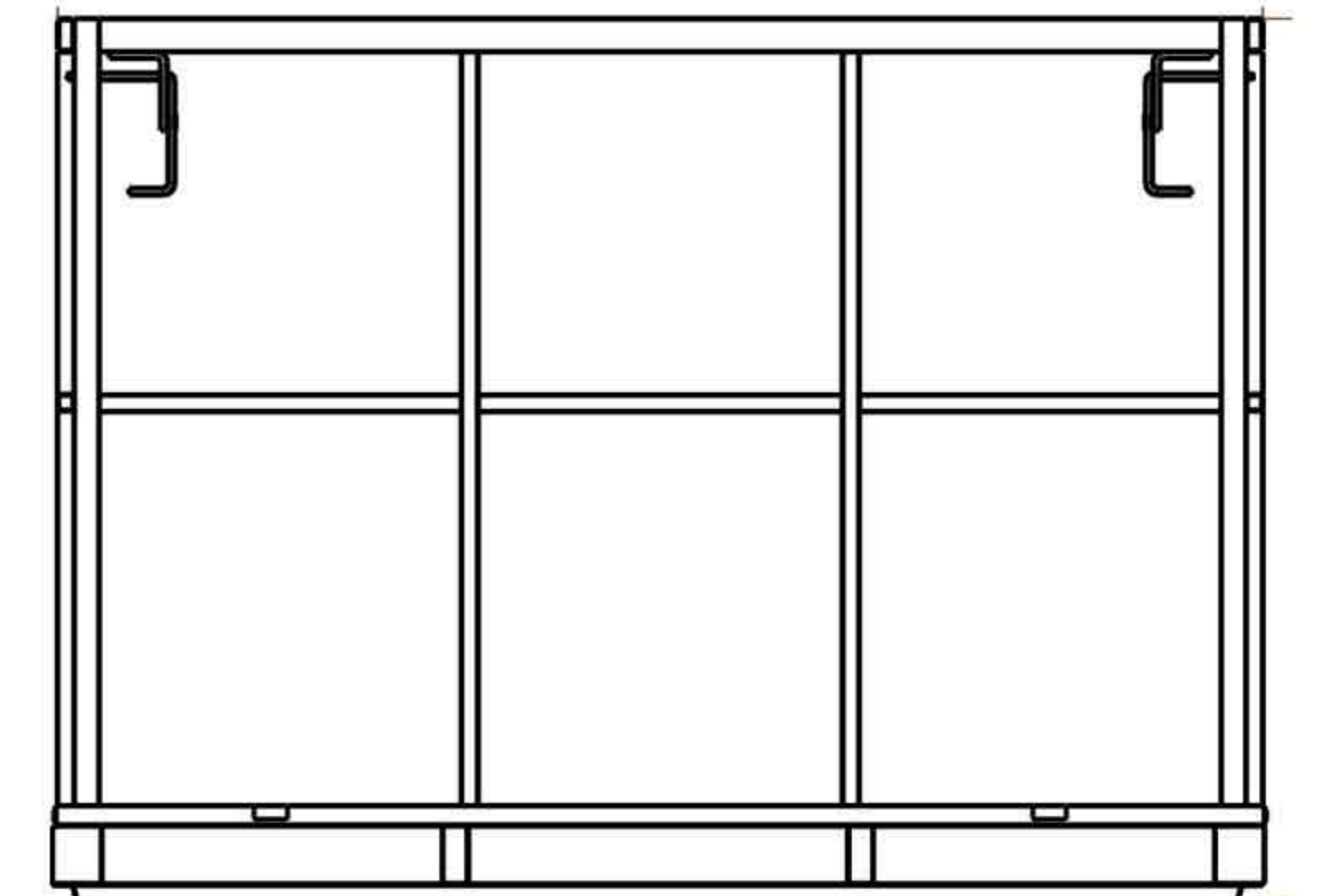
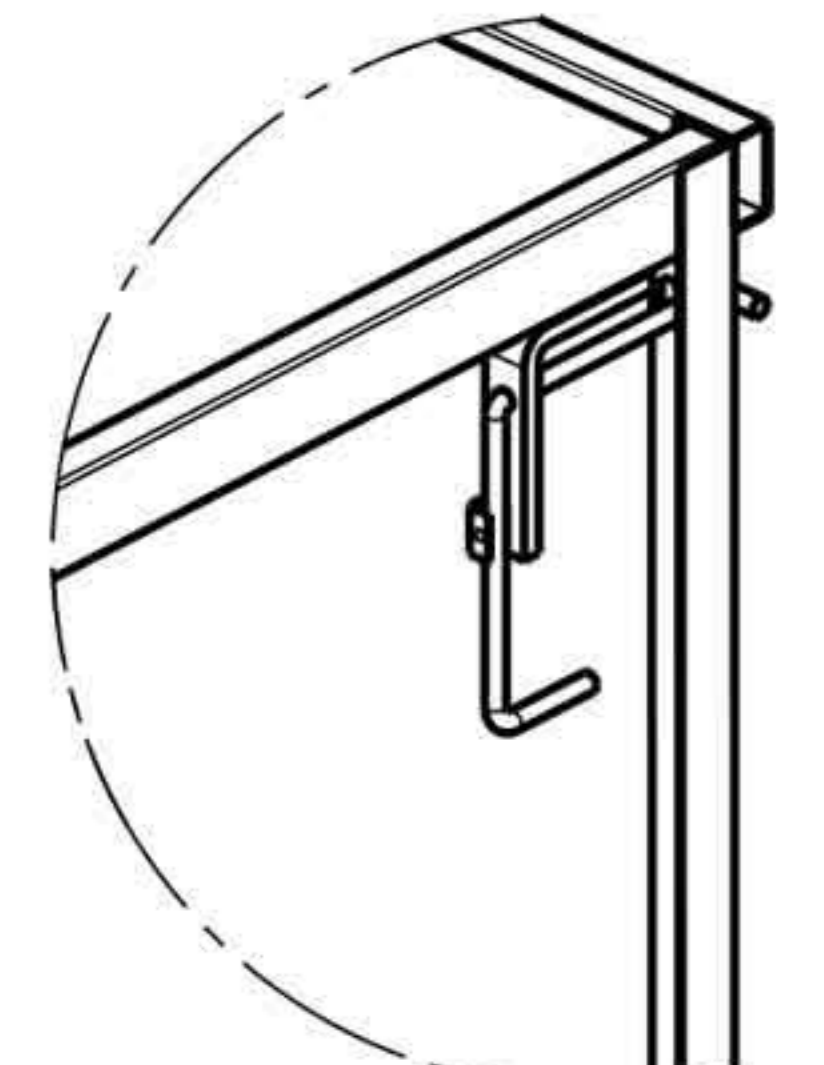
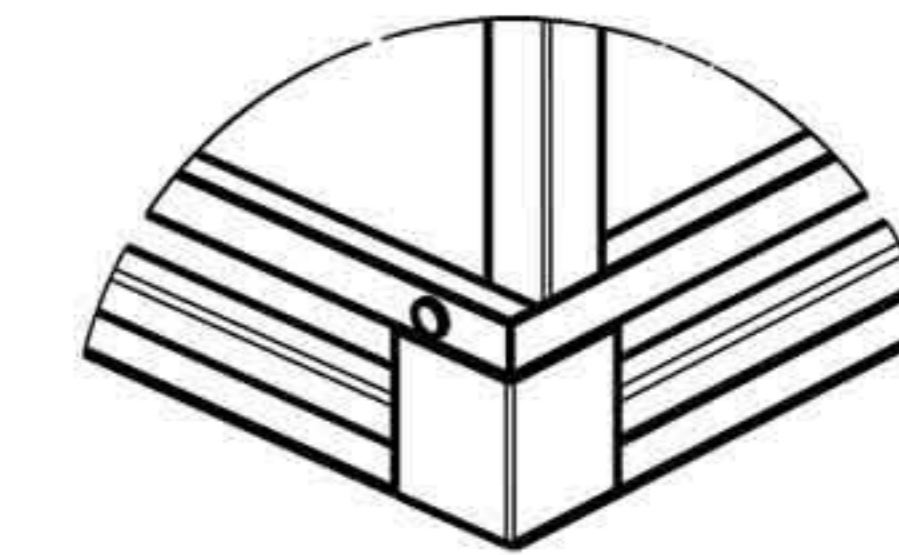
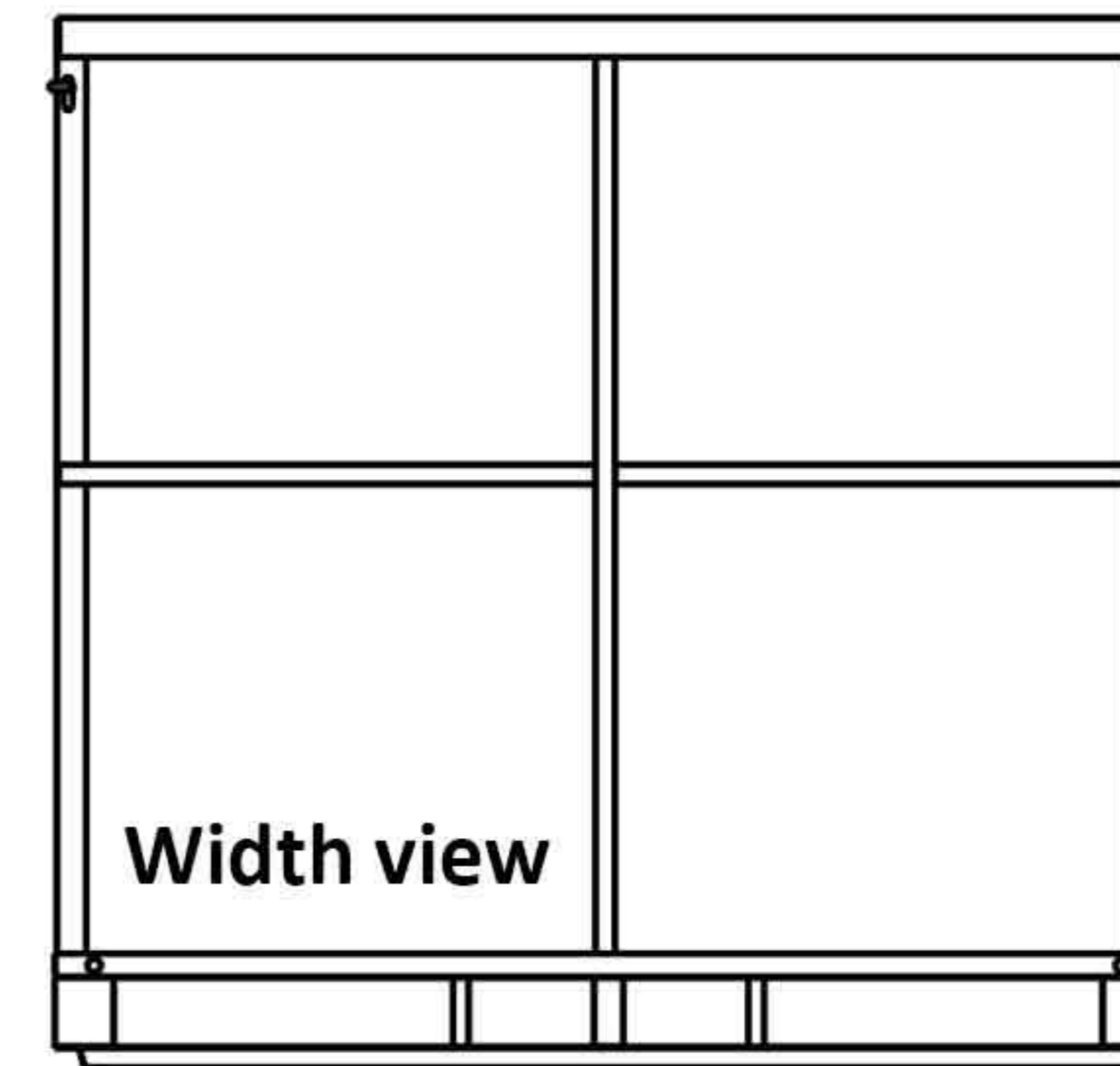
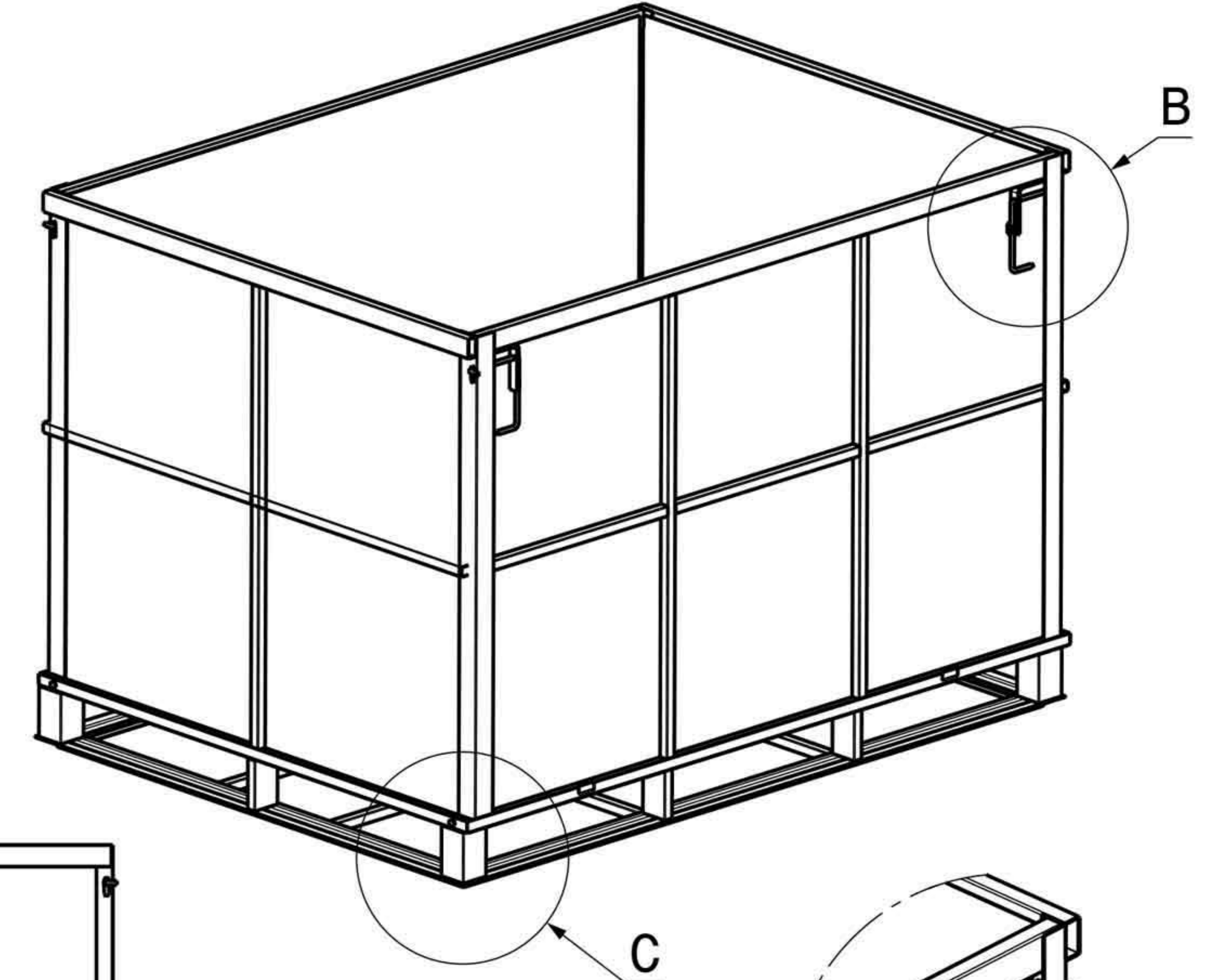
Email: [sales@aktan-co.com](mailto:sales@aktan-co.com)  
Website: [www.aktan-co.com](http://www.aktan-co.com)  
Address: Istanbul, Turkey

## Technical data :

Weight	55 To 65 KG , Order By Customer
Material	Steel
Color	According To RAL , Electrostatic line Order By Customer
Load Capacity	1400KG
Internal\External length(Cm)	141 to 151 \ 145.5 to 155.5,order by customer
Internal\External Width(Cm)	107 to 110 \ 111.5 to 114.5 , order by customer
Internal\External Height(Cm)	95 to 100 \ 107 to 115 , order by customer

## Petrochemical (Synthetic Rubber)Metal Box Pallet Attributes

- Lighter packaging weight.
- Non-flammable.
- No need for detoxification or disinfection.
- High strength and durability.
- Reusability (multiple use).
- Ease of repair due to being metal.
- Ability to assemble and disassemble many times after use.
- Long-term storage due to mildew resistance.
- Metal value preservation as scrap metal after complete destruction .
- More environmental health.



Internal view

Length view